

Driveshaft Order Form

☎ 847-663-1701
 📠 847-663-1702



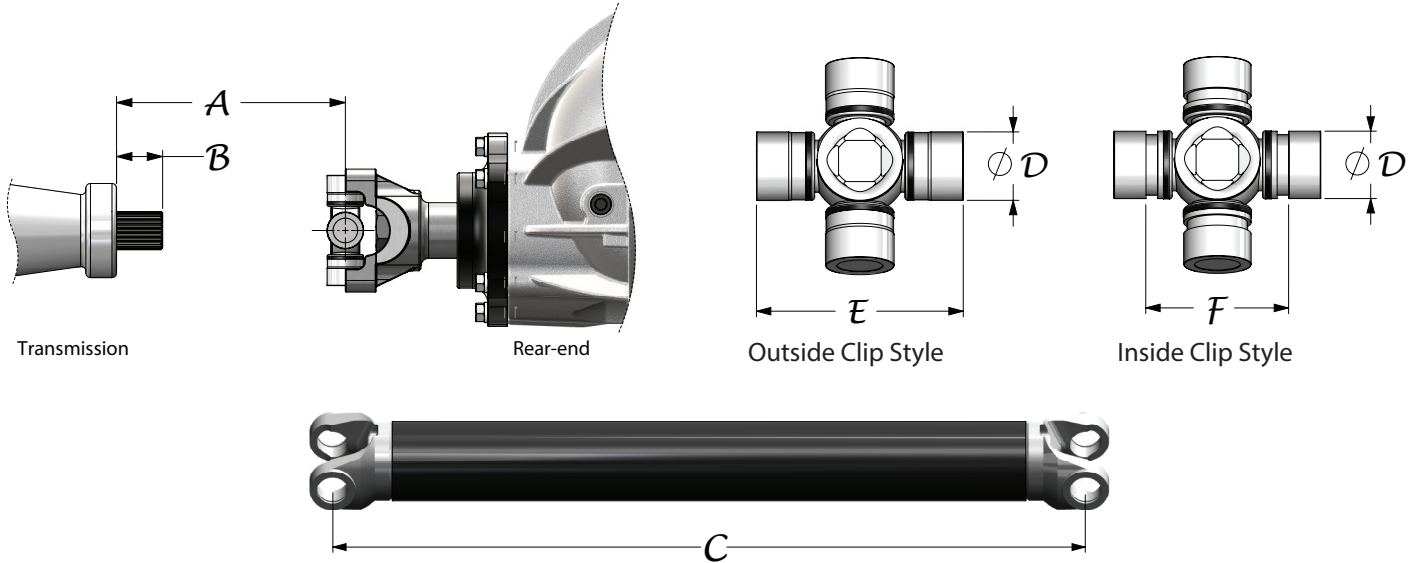
BILLING ADDRESS		
Name:		
Phone:		
Address		
City	State	Zip

SHIPPING ADDRESS		
Name:		
Phone:		
Address		
City	State	Zip

(same as billing)

ORDER DETAILS	
Package #	
Transmission:	
Output Shaft Spline:	
<input type="checkbox"/> Bushing	<input type="checkbox"/> Roller bearing

Measurement References



Ordering Driveshaft only (no trans. yoke)	
D	_____
E (Outside Clip Style)	_____
F (Inside Clip Style)	_____
C	_____

Ordering Driveshaft with Strange supplied trans. yoke	
A	_____
B	_____
D	_____
E	_____
I (LENCO Trans.)	_____
J (LENCO Trans.)	_____

***See Page 2 for Custom Driveshaft order notes**

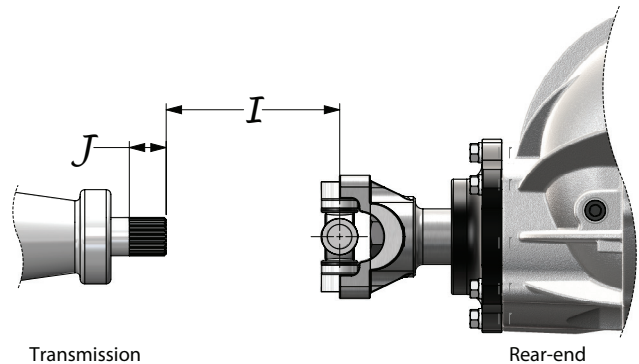
Conversion U-joints

- All Strange driveshafts have 1350 series weld ends installed unless otherwise specified ($D=1.1875$ $E=3.625$)
- All conversion u-joints are "cross-drilled" style

Conversion U-joint	D	E
U1645*	1.125	3.625
U1646	1.0625	3.217
U1647	1.0625	3.625
U1648	1.125	3.625

*U1645 uses inside clips F=2.645

LENCO Trans. Measurement References



Dimension Definitions

A Distance from the transmission face to the center of the u-joint when installed in the pinion yoke

B Distance from the transmission face to the end of the output shaft

C The distance between axle shaft weld yoke centers

D Diameter of the u-joint cap

Outside snap-ring style u-joints only

E Distance between the u-joint cap faces

Inside snap-ring style u-joints only

F Distance between the outer edges of the u-joint snap ring-grooves

LENCO Transmission only

I Distance between the transmission output shaft face and center of u-joint when installed in pinion yoke

LENCO Transmission only

J Distance of the spline length on the transmission output shaft

Custom Driveshaft Order Notes

- **3" OR 3 1/2" DRIVESHAFT:** Determined by driveshaft length and peak RPM. Critical speed is the point in which the driveshaft will begin to distort, vibrate, and eventually fail.
- Once measurements have been taken, consult a Strange Sales Associate to discuss the proper drive-shaft diameter to order.
- **MEASUREMENTS:** Should be taken on level ground, full weight on all four tires, vehicle at ride height, and pinion angle set. If the rear yoke is smaller than a 1350 series, it may be the time to replace it before proceeding. The driveline is only as strong as the weakest link and a new yoke will change your measurement.
- **DRIVESHAFT INCLUDING TRANSMISSION YOKE:** If you have a 1350 series yoke on the rear, only the "A" and "B" measurements are required. If you do not, also supply the "D" and "E" of the rear u-joint.
- **DRIVESHAFT ONLY – NO TRANSMISSION YOKE:** Push the transmission yoke all the way in until it bottoms, pull it out 7/8" and measure center to center. This is the "C" dimension. If you are not using all 1350 series yokes, supply the "D" and "E" from any that are not and note which end they belong.*